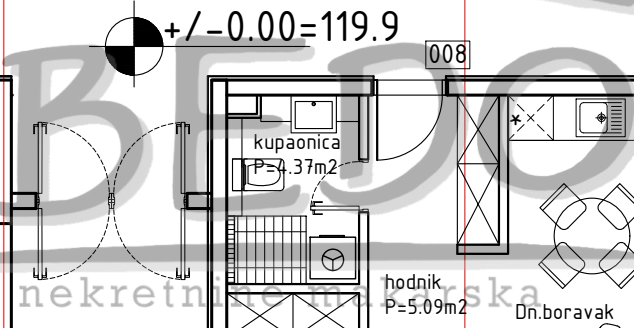
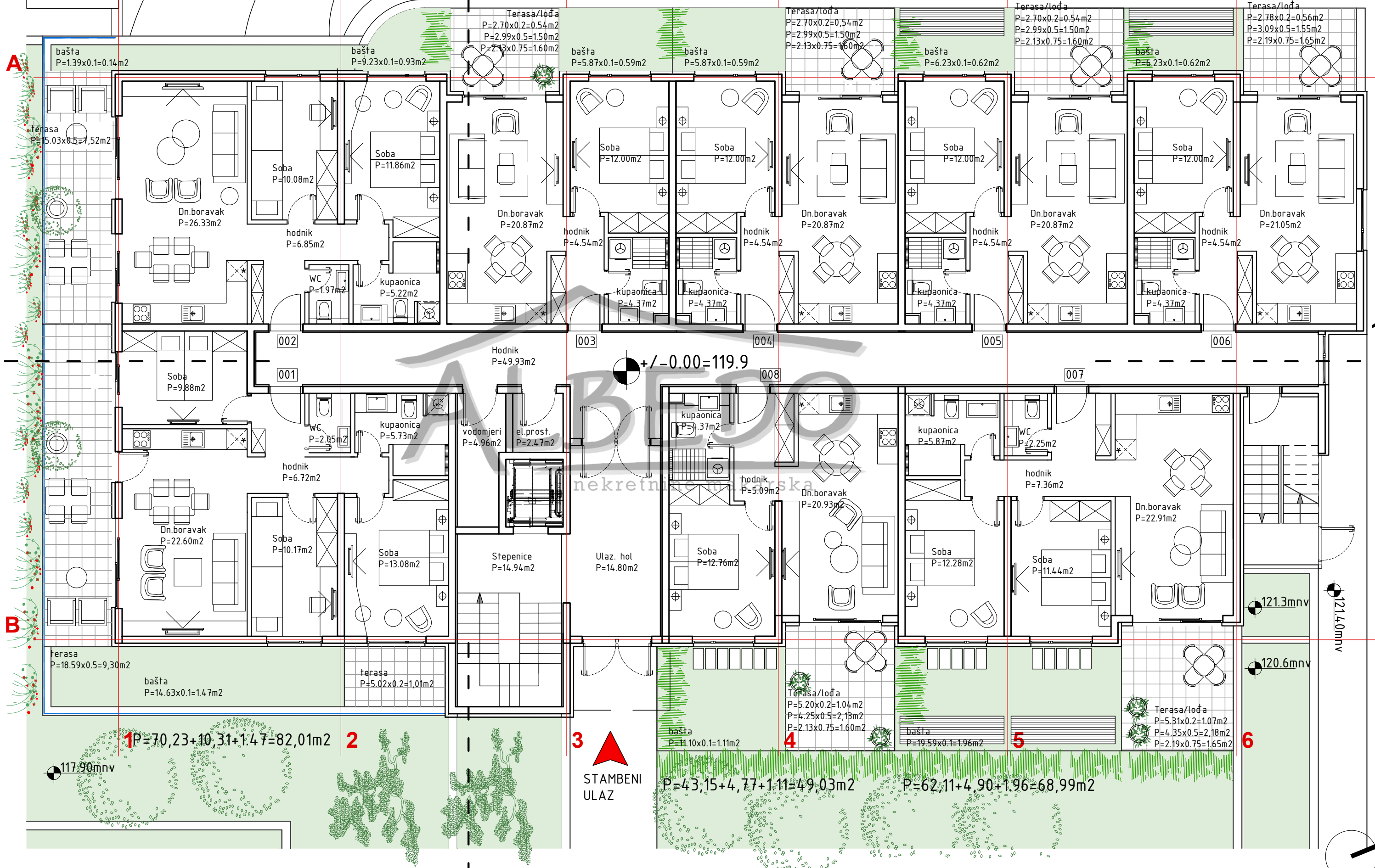


$P=62,31+7,52+1,07=70,90m^2$ $P=41,78+3,64+0,59=46,01m^2$ $P=41,78+3,64+0,59=46,01m^2$ $P=41,78+3,64+0,62=46,04m^2$ $P=41,96+3,76+0,62=46,34m^2$



STAMBENI
ULAZ

$P=70,23+10,31+1,47=82,01m^2$ $P=43,15+4,77+1,11=49,03m^2$ $P=62,11+4,90+1,96=68,99m^2$

117.90m^{nv}

121.3m^{nv}
121.40m^{nv}
120.6m^{nv}

2